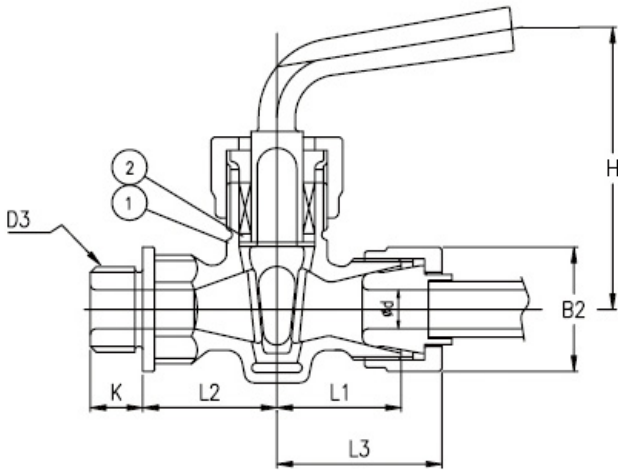




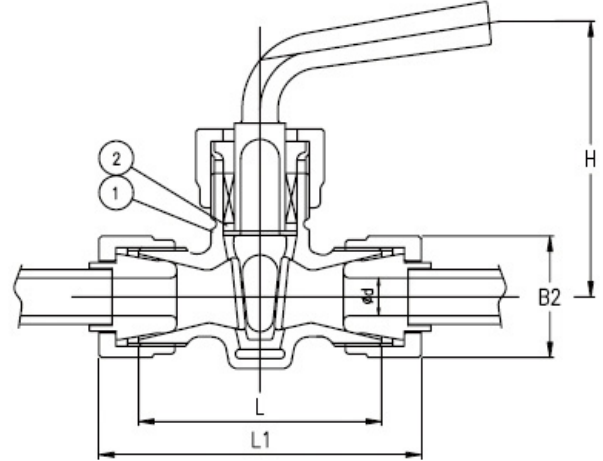
MARINE BRONZE 16K COCK VALVE (TYPE S, TYPE U) - JIS F7387

Manufactured in accordance to JIS F7400

Type S



Type u



No.	Component	Material
1	Body	Bronze
2	Plug	Bronze

Nominal Dia		Test Pressure	
		Body	Plug
Hydraulic Inspection	6 and 10	30kg	22kg
	15 and 20	24kg	17.6kg

Type	Size	Pipe Out Dia		L	L1	L2	L3	K	D3	B2	H	Kg
		Copper	Steel									
S Type	6A	8/10	10.5	-	28	28	37	12	M20x1.5	30	65	0.46
	10A	15	17.3	-	40	35	52	16	M24x2	41	73	0.85
	15A	20	21.7	-	45	45	58	22	M30x2	46	92	1.46
	20A	25	27.2	-	50	50	65	24	M36x2	50	104	2.09
U Type	6A	8/10	10.5	56	74	-	-	-	-	30	65	0.50
	10A	15	17.3	80	104	-	-	-	-	41	73	1.0